

Black Gator™ I – Surface Connectors

Standard Non-explosion Proof

The PFT™ Standard Surface Connector is a compact, factory assembled unit rated 5kV and, depending on cable size, can be rated up to 205A. This is a non-explosion proof system that will fit with all PFT™ non-explosion proof wellhead penetrators. These units are normally supplied with 30 feet of #1 AWG round cable with galvanized armor.

C1D1 Explosion Proof

PFT's C1D1 (CSA approved) surface connectors rated above 2400V, up to 5kV, are supplied with shielded type MV-105 cable in accordance with 2005 NEC Article 310, paragraph 310.6. C1D1 surface connectors for use in applications below 2400V are supplied with non-shielded cable. PFT™ surface connectors are rated up to 205A when assembled to #1/0 approved cable.

PEEK™ Insulator

PEEK™ is extremely well suited for all downhole applications. Depending on the material grade, PEEK™ can work continuously at 260 deg C (500 deg F). PEEK™, in comparison to molded rubber, does not take a "set" when put into compression nor is it subject to gas penetration. Combined with our oversized copper contacts, the PFT™ Black Gator™ Connector combines a longer run life with the ability to re-run components.

Gator Gripp™*

This crimpless contact provides maximum conductivity with minimum heat buildup. Conductors do not have to be spread to accommodate a crimping tool, thus eliminating possible damage to the insulation or barrier. There is no "guessing" as to how much crimp force is required or how many crimps are needed. Additionally, as the contacts are not deformed (from the crimp), there are no ridges to sand nor do the conductors need straightening.

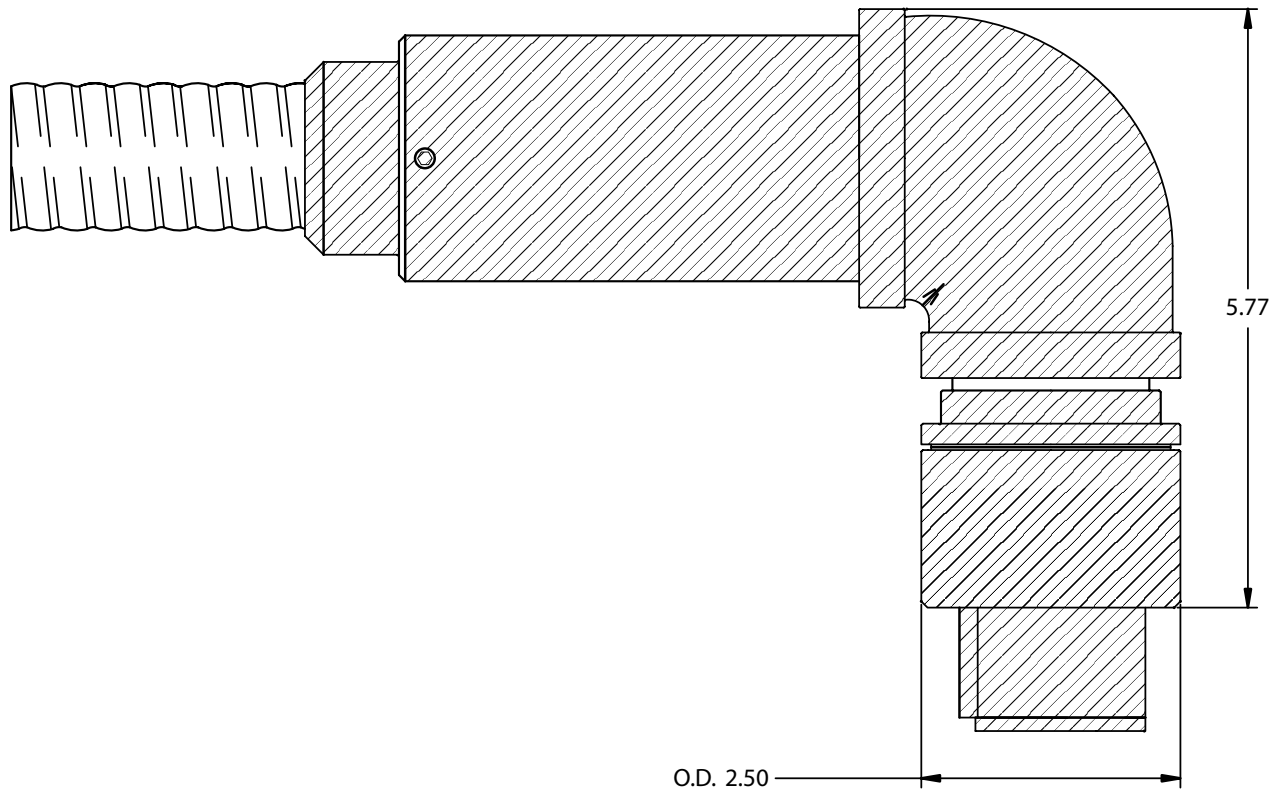
Connector Body Parts

Components are carbon steel and meet NACE MRO 175 specifications. The black finish provides maximum corrosion protection as well as lubrication for the threaded components. Stainless steel components are also available.

Threads

While we do not advocate attaching our connectors to penetrators supplied by other manufacturers, we offer several thread profiles that will mate with various penetrators. Please contact PFT™ for confirmation before purchasing.

* = Patent Pending



Black Gator™ I – Surface Connectors

All dimensions in inches