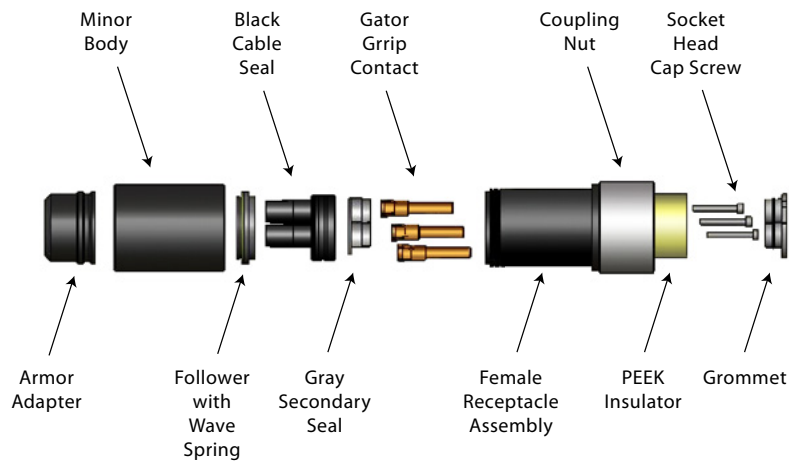




Black Gator™ I – Lower Connector

The PFT™ Standard Lower Connector sets the benchmark for maximum flexibility. The connector can accommodate various downhole cable types and sizes (up to #1/0) by merely changing the cable seal, Gator Grrip™*, crimpless contacts and Armor Adapter. It can be supplied attached to flat or round cable as a pigtail or supplied as the most user friendly field attachable connector on the market. In most circumstances this connector can be assembled on a cable in less than 30 minutes. Depending on cable size, this connector can be used up to 5kV, 205Amps.



PEEK™ Insulator

PEEK™ is extremely well suited for all downhole applications. Depending on the material grade, PEEK™ can work continuously at 260 deg C (500 deg F). PEEK™, in comparison to molded rubber, does not take a “set” when put into compression nor is it subject to gas penetration. Combined with our oversized copper contacts, the PFT™ Black Gator™ Connector combines a longer run life with the ability to re-run components.

Cable Seal Assembly*

Our innovative “floating” cable seal design incorporates the latest technology in elastomers with the ability to adjust to thermal expansion and decompression. Cable seals are sized for specific cable types in sizes from #6AWG – 1/0

and available in material options to meet your operating conditions.

Gator Grrip™*

This crimpless contact provides maximum conductivity with minimum heat buildup. Conductors do not have to be spread to accommodate a crimping tool, thus eliminating possible damage to the insulation or barrier. There is no “guessing” as to how much crimp force is required or how many crimps are needed. Additionally, as the contacts are not deformed (from the crimp), there are no ridges to sand nor do the conductors need straightening.

Connector Body Parts

Components are carbon steel and meet NACE MRO 175 specifications. The black finish provides maximum corrosion

protection as well as lubrication for the threaded components. Stainless steel components are also available.

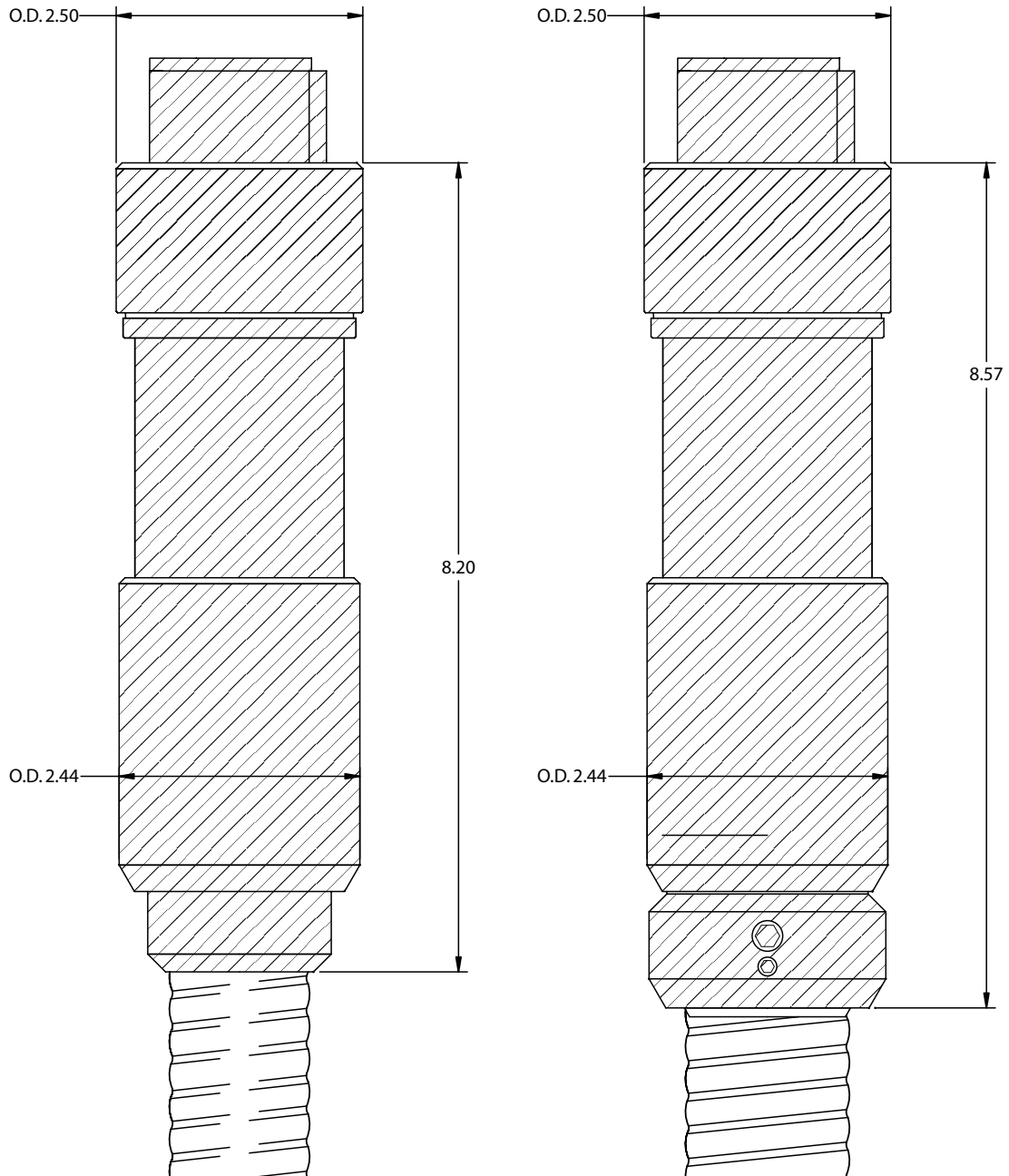
Threads

While we do not advocate attaching our connectors to penetrators supplied by other manufacturers, we offer several thread profiles that will mate with various penetrators. Please contact PFT™ for confirmation before purchasing.

Armor Adapter*

Supplied for various sizes of flat or round cable, PFT’s new flat Armor Adapter* eliminates the need (and time) to reconfigure flat cables into a round configuration for use with a field-attachable connector.

* = Patent Pending



Round Cable

Flat Cable

Black Gator™ I – Lower Connector

All dimensions in inches