



## **Black Gator™ I – Gator Feed™**

The PFT™ Gator Feed™ is an economical system for use in replacing\* cable pack-off assemblies and low pressure (up to 3000 psig) applications. This two-piece feed-thru system combines a lower connector and wellhead penetrator into an integral unit that installs through the bottom of the tubing hanger. The integral design minimizes the length of the unit below the tubing hanger, allowing for installation in short or restricted tubinghead bowls. It is held in place with two anti-rotation cap screws on the bottom and a locking nut on the surface.

The Gator Feed™ is supplied as a field attachable kit or attached to #4, #2 or #1 AWG flat or round cable. It is rated up to 5kV and 160A, depending on cable size and can be supplied in an explosion proof version.

\* = A mandrel tubing hanger is required when replacing a cable pack-off

### **PEEK™ Insulator**

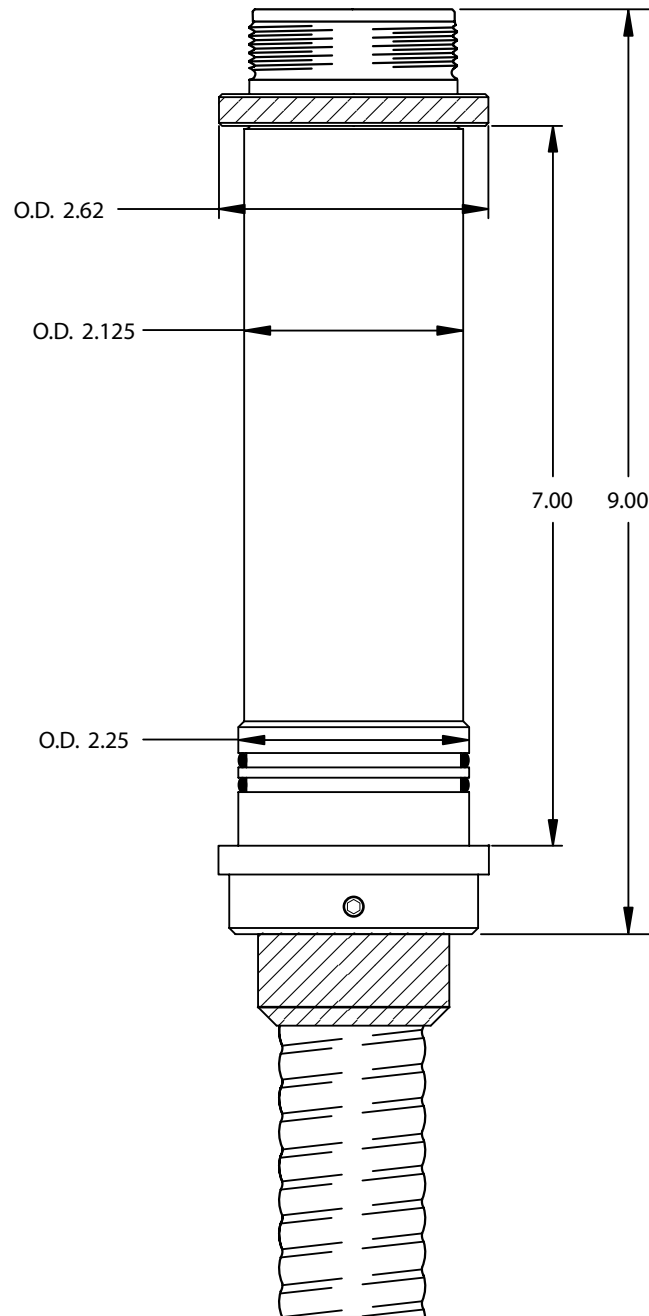
PEEK™ is extremely well suited for all downhole applications. Depending on the material grade, PEEK™ can work continuously at 260 deg C (500 deg F). PEEK™, in comparison to molded rubber, does not take a "set" when put into compression nor is it subject to gas penetration. Combined with our oversized copper contacts, the PFT™ Black Gator™ Connector combines a longer run life with the ability to re-run components.

### **Connector Body Parts**

Components are carbon steel and meet NACE MRO 175 specifications. The black finish provides maximum corrosion protection as well as lubrication for the threaded components. Stainless steel components are also available.

### **Threads**

While we do not advocate attaching our connectors to penetrators supplied by other manufacturers, we offer several thread profiles that will mate with various penetrators. Please contact PFT™ for confirmation before purchasing.



## Black Gator™ I – Gator Feed™

All dimensions in inches